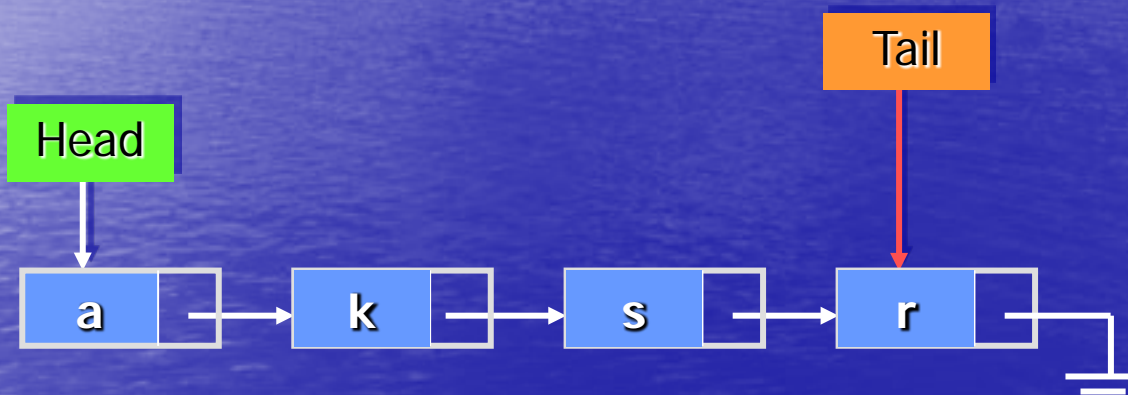


# Linked-List

เฉลย



Assignment

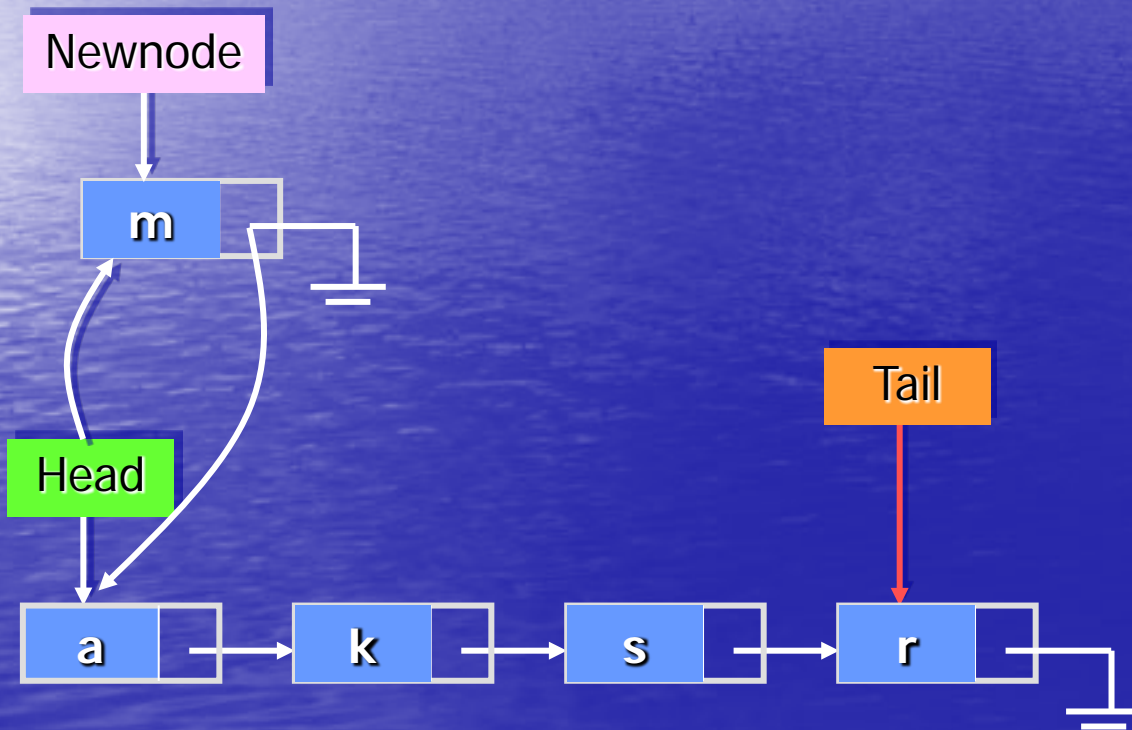


# Linked-List



## Insert

1. newNode(data)
2. newNode.next=Head
3. Head=newNode

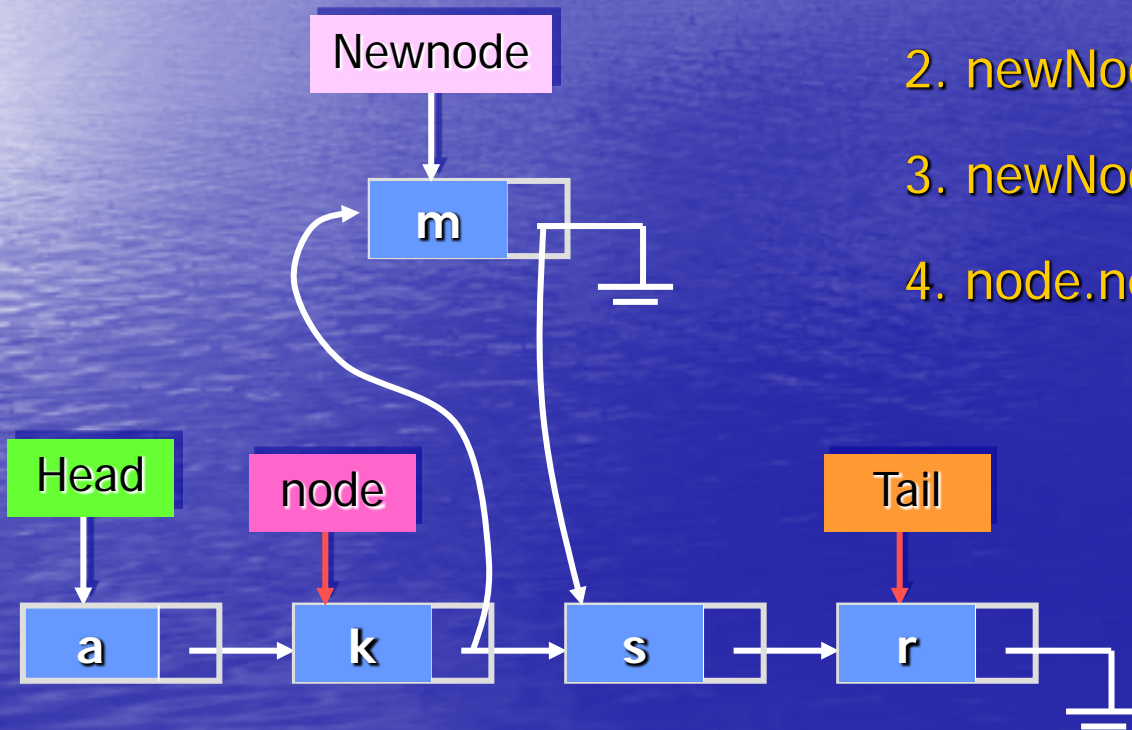


# Linked-List



## Insert node m after node k

1. node=Search(k)
2. newNode(data)
3. newNode.next=node.next
4. node.next=newNode



# Linked-List

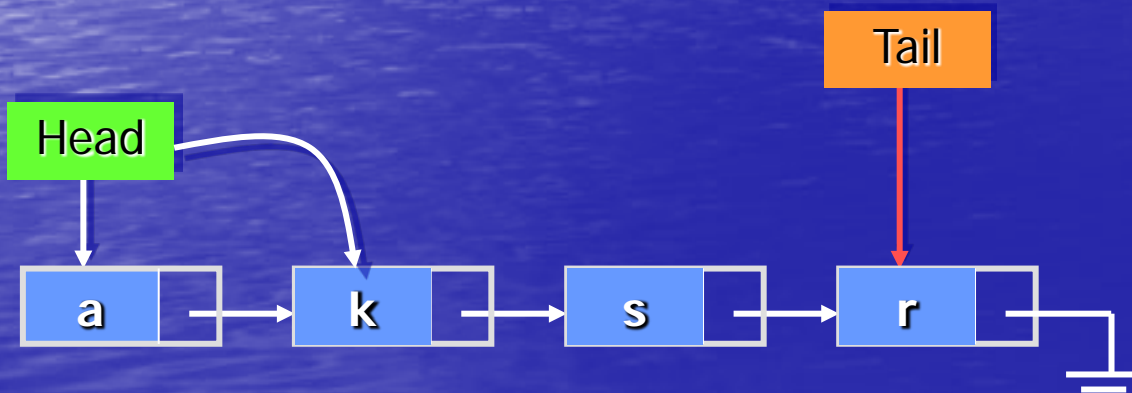


## Delete

Delete node  $115n$

1 2

1. Head=Head.next



# Linked-List



## Delete

Delete node ใดๆ เช่น node s

1. Find PreviousNode and CurrentNode
2. PreviousNode.next = CurrentNode.next

